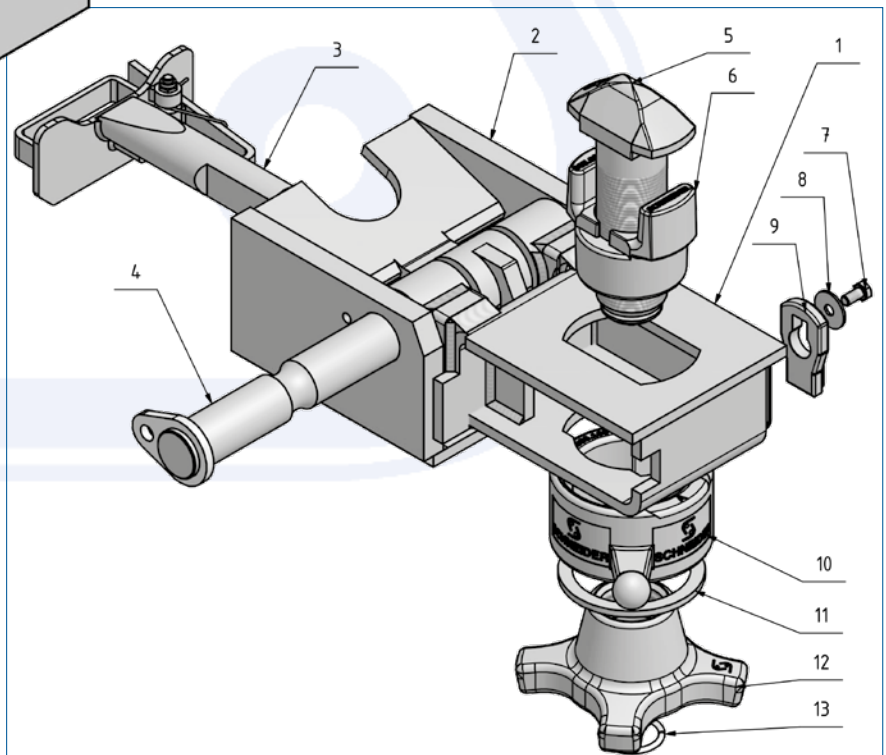
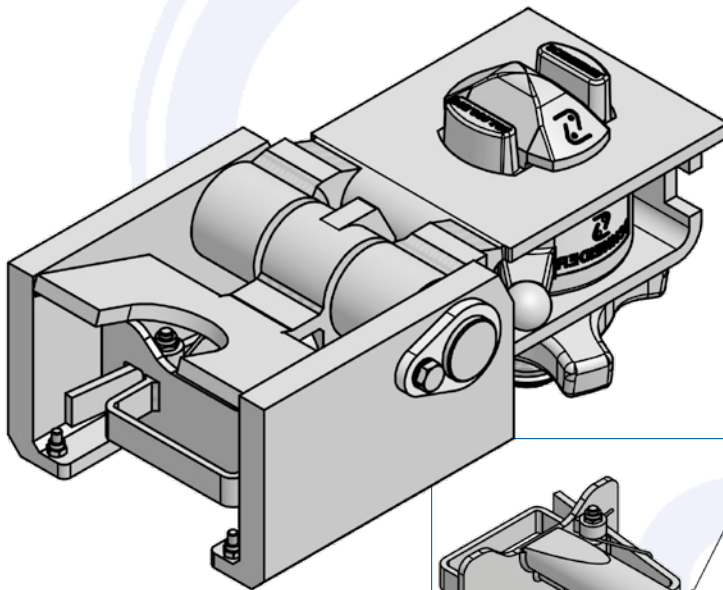
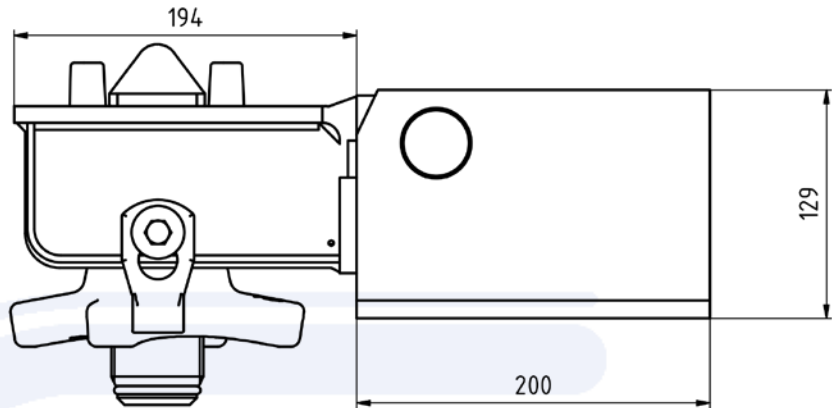


Collapsible Twist lock retractable

- > combined twist lock for front mounting with gooseneck chassis
- > housing steel raw, locking parts galvanized
- > for 40' or 45' containers via front pin
- > for 40' and 20' standard containers via the collapsible twist lock
- > **left hand version**
- > weight 34 kg



Art.-No. 905.394.902



Pos.	Spare part	Art.-No.
1	Hinged part left	905.012.100
2	Housing left	905.011.000
3	Handle kpl. left	905.009.000
4	Shaft	905.000.016
5	Locking pin	905.000.213
6	Locking pin guide	905.000.161
7	Screw	020.008.016
8	Washer	905.031.000
9	Security latch	905.159.001
10	Outer guide	905.000.160
11	Spacer ring	905.000.188
12	Locking nut	905.000.072
13	Security ring	905.000.187