

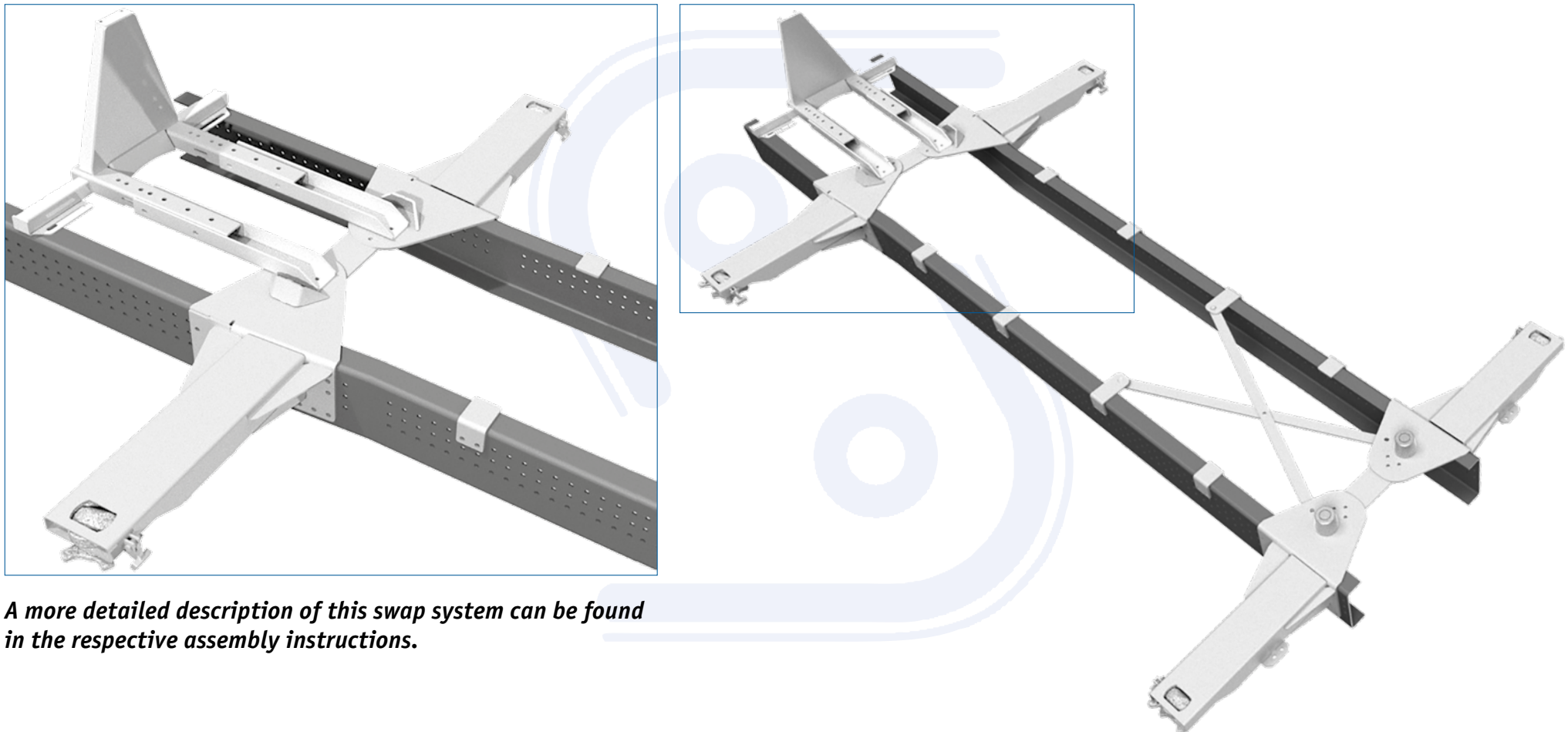
Swap system „Wechselsystem WS Volumen“ (hot-dip galvanised steel)



- > **scope of delivery:** 4 crossbars with guide roller holder, front stop fixed or collapsible, 6 wear plates, rear connecting plate incl. holder for guide roller, 4 inner part kits, fastening material such as brackets, clamping plates, reinforcement plates, flange head screws and lock nuts
- > **hight adjustment:** without
- > **system hight:** 10 mm
- > **parking levels:** 1,020 mm
- > **swap body sizes:** C 782

possible chassis:

- > Mercedes: Actros, Antos
- > MAN TGX, MAN TGM
- > DAF XF, Scania R, Iveco S-Way
- > Volvo FH with 266 mm and 300 mm longitudinal beam
- > Renault T with 266 mm and 300 mm longitudinal beam



A more detailed description of this swap system can be found in the respective assembly instructions.