

「Agricultural devices」

Innovative components for the agricultural sector

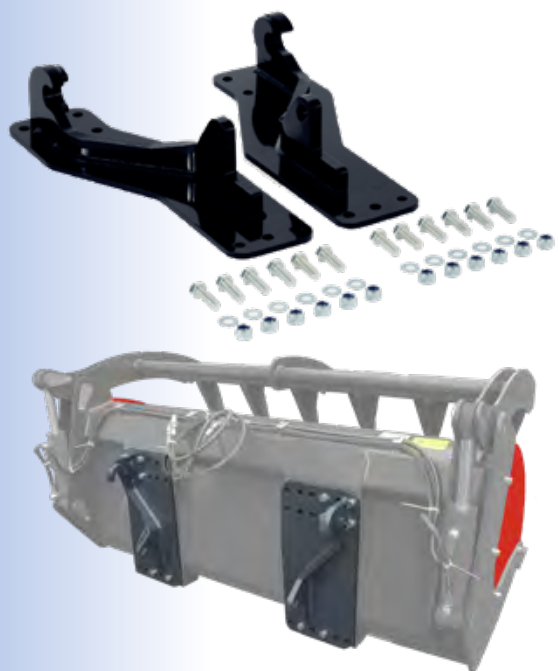


Issue 08 / 2023



LP Bracket System (LP)

LP Bracket System standard



The punched plates (LP) bracket can be used to connect all common front loaders, wheel loaders, telescopic- or compact loaders to our devices.

The attachments are factory made and delivered with two permanently welded perforated plates. Specific receptacles for the carrier vehicles are simply bolted onto these. Please indicate the type of front end, telescopic, compact or wheel loader when ordering an attachment.

front loader / carrier vehicle / manufacturer	type	Art.-No.
Euro bracket	front loader	125.007.010
Ahlmann AX 85 / AS + AL	wheel loader	125.007.030
Atlas AR series ab 42	wheel loader	125.007.140
Bobcat	compact loader	125.007.120
Bobcat	wheel loader	125.007.180
Bobcat	telescopic handler	125.007.340
CAT / Volvo / Komatsu / Liebherr	wheel loader	125.007.020
CAT-Zeppelin	telescopic handler	125.007.380
Claas / Kramer	telescopic handler	125.007.040
Dieci	telescopic handler	125.007.270
Dieci	wheel loader	125.007.420
Genie / Terex	telescopic handler	125.007.370
Giant	compact loader	125.007.130
Hanomag	wheel loader	125.007.100
Hauer	front loader	125.007.150
JCB Qfit	telescopic handler	125.007.090
Kramer	wheel loader	125.007.160
Kramer 880	wheel loader	125.007.330
Manitou	telescopic handler	125.007.080
Merlo	telescopic handler	125.007.050
Öhler	wheel loader	125.007.390
Pichon	compact loader	125.007.110
Schäffer	wh. load. / telesc. handl.	125.007.070
Schäffer	compact loader	125.007.300
Terex	wheel loader (50 mm)	125.007.310
Terex	wheel loader (35 mm)	125.007.350
Volvo	compact loader	125.007.060
Weidemann / Wacker Neuson	wheel loader	125.007.060
Weidemann (<i>heavy duty version</i>)	wheel loader	125.007.020
Zettelmeyer	wheel loader	125.007.290



LP Bracket System mini



front loader / carrier vehicle / manufacturer	type	Art.-No.
Euroaufnahme	euro	125.112.090
Bobcat	compact-/wheel loader	125.112.160
Giant	compact loader	125.112.050
Kramer	compact loader	125.112.140
Kramer	wheel loader	125.112.180
Schäffer	compact loader	125.112.020
Schäffer	compact loader (old)	125.112.060
Schäffer	wheel loader	125.112.130
Thaler	compact-/wheel loader	in planning
Weidemann	compact loader	125.112.010

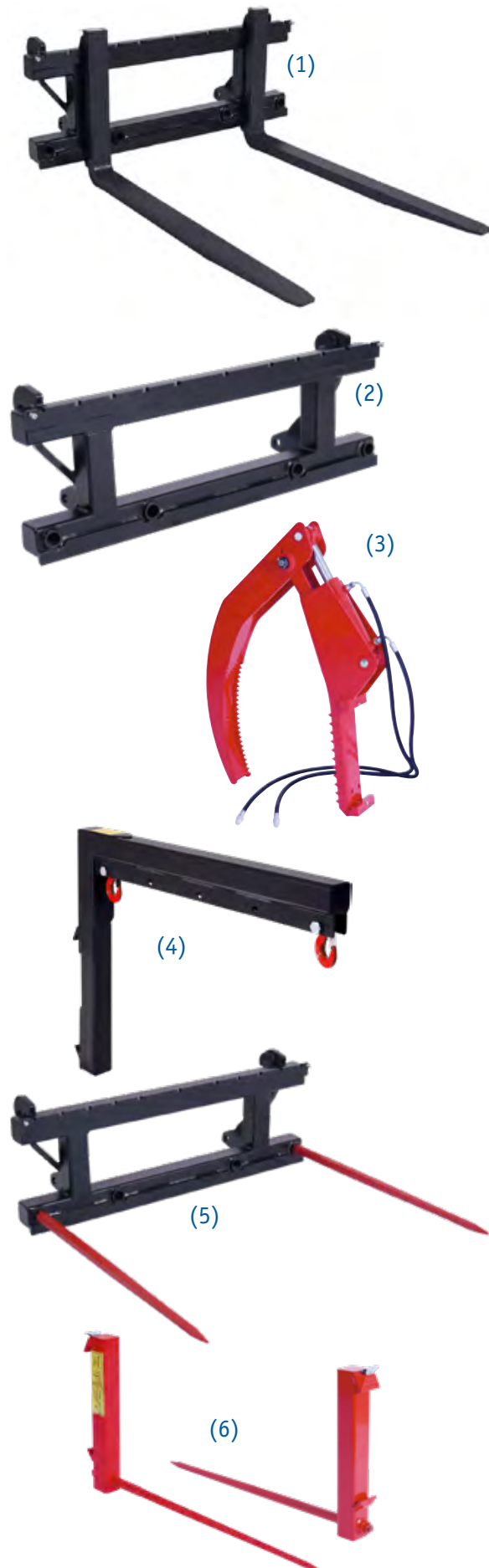
Farm equipment

Pallet Fork Carrier Frame

Universal pallet fork carrier frame in accordance with ISO2328 FEM II with or with-out forged quality pallet forks (1,200 mm long).

You can optionally screw **up to 4 bale spike prongs (M22)** directly into the frame or **exchange them quickly and easily with the skewer holder.**

It is also possible **to hold a gripper or two carriers for big bags up to 1,000 x 1,000 mm.** Due to the special suspension, the Big Bags can be filled from above and cannot slip off during transport.



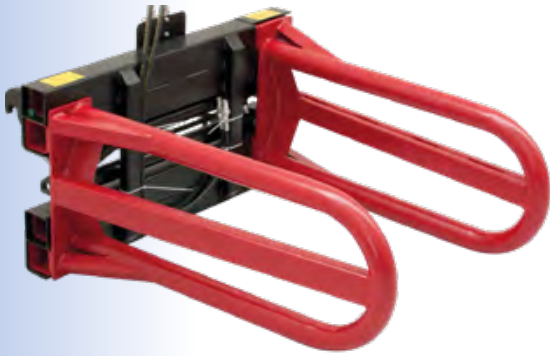
Art.-No.	description	width in mm	load capacity in kg**	weight approx. in kg
125.023.000	palett fork "visibility" (1)	1.200	2.000	170
125.023.700	with Euro-bracket/bushes	1.200	2.000	150
125.023.800	with Weidemann-bracket	1.200	2.000	147
125.023.900	with Schäffer-bracket	1.200	2.000	147
125.023.100	pallet fork carriage (2) <i>for 125.023.000</i>	1.200	2.000	86
125.023.750	carriage for 125.023.700	1.200	2.000	65
125.023.850	carriage for 125.023.800	1.200	2.000	62
125.023.950	carriage for 125.023.900	1.200	2.000	62
125.023.580	hydraulic grab (opening width 1,300 mm) (3)			75
125.039.200	support arm for commercial big bags (max. load 1,500 kg)* (4)		1.500***	37
125.030.002	tine (spring steel) 1,100 mm M 22 (5)		500	5,8
125.028.082	tine (spring steel) 1,200 mm M 28		500	8,7
125.023.400	bale spike support for the quick change over times M28 (6)		500	10
125.023.450	bale spike support for the quick change over times M22 (6)		500	10

black RAL 9005– red RAL 3002
* order 2 pcs. each ** centre of gravity 500 mm *** per pair



Bale Handling

Square bale gripper



With **Euro-bracket** (125.025.200) and **LP-bracket system** (125.025.700) **for front-, telescopic- or wheel loaders** (please order adapter plates separately), for round and square bales, including pressure relief valve, hydraulic cylinder and hydraulic hoses with quick connector BG3.

Art.-No.	min. width ext. dim (mm)	bale size in mm	ext. height in mm	load capacity in kg	weight approx. kg
125.025.200	1.150	800-2.000	675	1.000	210
125.025.700	1.150	800-2.000	675	1.000	210

schwarz RAL 9005 – rot RAL 3002



Round bale gripper



With **Euro-bracket** (125.024.600) and **LP-bracket system** (125.024.620) **for front-, telescopic- or wheel loaders** (please order adapter plates separately), for round bales, including hydraulic cylinder and hydraulic hoses with quick connector BG3.

Art.-No.	min. width ext. dim (mm)	bale size in mm	ext. height in mm	load capacity in kg	weight approx. kg
125.024.600	1.350	900-1.600	760	1.000	180
125.024.620	1.350	900-1.600	760	1.000	180

anthracite-grey RAL 7016 – red RAL 3002

Hydraulic bale handler



With **Euro- and three-point bracket**, the **hydraulic bale handler** with hydraulic cylinder and hydraulic hoses with quick connector BG3, the heavy duty forged steel tines are covered with demountable pivoting steel tubes to protect the bale wrap.

Art.-No.	min. width ext. dim (mm)	bale size in mm	ext. height in mm	load capacity in kg	weight approx. kg
125.028.800	1.150	900-1.500	675	1.000	140

black RAL 9005 – red RAL 3002



Bale Handling

Bale spikes

Double or quadruple bale spikes, with **Euro- and three-point bracket**, high-quality (square shaft) spring steel spikes 1,100 mm long (screw thread M 22 x 1.5), thick-walled tube with welded tapered sleeves.

Art.-No.	frame size in mm	spikes	load capacity approx. kg	weight approx. in kg
125.030.000	1.080 x 500	2	1.000	47
125.030.500	1.500 x 900	4	1.500	100
125.030.002	tine (spring steel) with nut 1,100 mm long			5,8

red RAL 3002



Mechanical bale handler

With **Euro- and three-point bracket**, **mechanically adjustable** in 50 mm increments, the steel support tubes (1,200 mm long) close with a round cap, adjustable for road transportation, optional with heavy duty tines.

Art.-No.	min. width ext. dim (mm)	bale size in mm	ext. height in mm	load capacity in kg	weight approx. kg
125.027.000	1.100	900-1.500	600	1.000	90
125.027.300*	1.100	900-1.500	600	1.000	90

red RAL 3002 *with heavy duty forged spring steel tines



Buckets and grippers

Universal Buckets



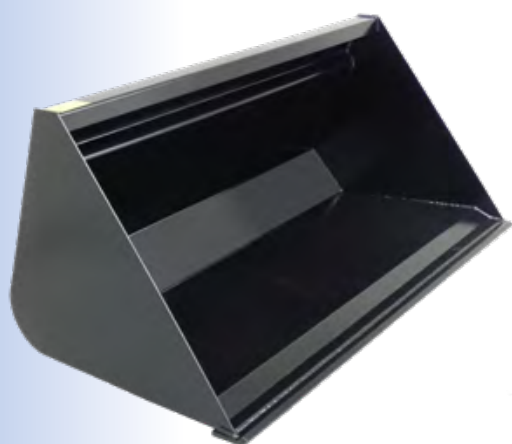
With **Euro-bracket**, hardened 500 HB cutting edge, lateral wear plates and lower surfaces, bilateral optical position indicator.

Art.-No.	width (B) in mm	volume in ltr.	bucket depth in mm	weight approx. in kg
125.026.216	1.600	450	780	180
125.026.218	1.800	590	780	200
125.026.220	2.000	650	780	220
125.026.222	2.200	700	780	240

black RAL 9005



Volume Buckets



With **LP-bracket for front-, telescopic- or wheel loaders** (please order adapter plates separately), conical design for better sliding of the bulk material, hardened 500 HB cutting edge and protective runners at the bucket base.

Art.-No.	width (B) in mm	volume in ltr.	bucket depth in mm	weight approx. in kg
125.035.016	1.600	770	1.000	220
125.035.018	1.800	870	1.000	250
125.035.020	2.000	970	1.000	280
125.035.022	2.200	1.070	1.000	310
125.035.025	2.500	1.200	1.000	340

black RAL 9005

Manure Forks



With **Euro-bracket**, centre of gravity is located close to the tractor, screw on forged tines (length 800 mm), wear plates on the lower surface, thick walled sheets for tough use.

Art.-No.	width (B) in mm	number of tines	weight approx. in kg
125.032.112	1.200	7	180
125.032.114	1.400	8	200
125.032.116	1.600	9	220
125.032.118	1.800	10	240
125.032.120	2.000	11	260
125.032.122	2.200	12	280

anthracite-grey RAL 7016 – red RAL 3002

Buckets and grippers

Multipurpose Buckets, compact



For small tractors, wheel and compact loaders (645 mm high), **with Euro- or LP mini-bracket**, the bucket metal is 6 mm thick, two side panels, hydraulic cylinder and hydraulic hoses with quick connector BG3, cutting edge of hardened steel 500 HB, maximum opening width of 1,050 mm.

Art.-No.	width (B) in mm	volume in ltr.	number of tines	weight approx. in kg
125.061.014	1.400	460	6	240
125.061.016	1.600	480	6	260
125.061.018	1.800	500	7	280
125.061.020	2.000	530	8	300
125.062.014	1.400	460	6	240
125.062.016	1.600	480	6	260
125.062.018	1.800	500	7	280
125.062.020	2.000	530	8	300

anthracite-grey RAL 7016 – side panels red RAL 3002



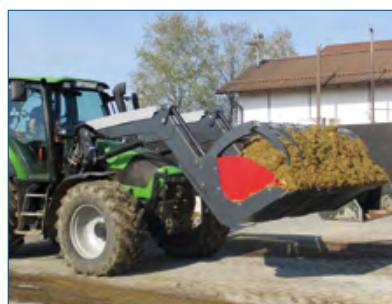
Multipurpose Buckets



With **LP-bracket for front-, telescopic- or wheel loaders** (please order adapter plates separately), bucket metal 8 mm thick, incl. side plates, hydraulic cylinders and hydraulic hoses with quick connector BG3, double wear resistant 500 HB cutting edge, protective runners at the bucket base, 1,100 mm high.

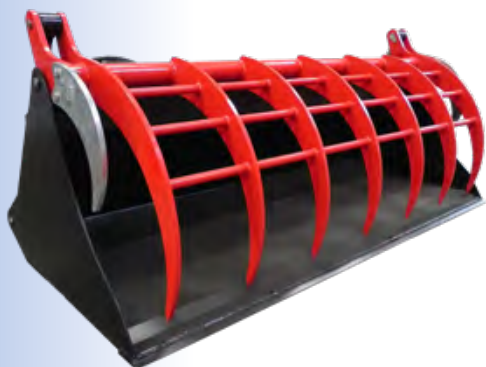
Art.-No.	width (B) in mm	volume in ltr.	number of tines	weight approx. in kg
125.060.020	2.000	1.300	6	700
125.060.023	2.250	1.500	6	790
125.060.025	2.500	1.700	8	850

anthracite-grey RAL 7016 – side panels red RAL 3002



Buckets and grippers

Silage Grab Buckets



With LP-bracket for front-, telescopic- or wheel loaders (please order adapter plates separately), with hardened 500 HB cutting edge, protective runners at the bucket base, generously dimensioned hydraulic cylinders and hydraulic hoses with quick connector BG3.

Art.-No.	width (B) in mm	volume in ltr.	bucket depth in mm	weight approx. in kg
125.040.016	1.600	750	900	470
125.040.018	1.800	850	900	500
125.040.020	2.000	950	900	525
125.040.022	2.200	1.050	900	550
125.040.025	2.500	1.200	900	610

black RAL 9005 – red RAL 3002



Forks with grapple



With **LP-bracket for front-, telescopic- or wheel loaders** (please order adapter plates separately) wear plate at the bottom, 900 mm forged tines, thick-walled side plates, hydraulic cylinders, hydraulic hoses, quick connector BG3.

Art.-No.	width (B) in mm	number of tines down	weight approx. in kg
125.033.014	1.400	8	310
125.033.016	1.600	9	330
125.033.018	1.800	10	360
125.033.020	2.000	11	380
125.033.022	2.200	12	410

black RAL 9005 – red RAL 3002



Devices for compact loader

Forks with grapple, mini



With **LP-bracket for compact loaders** (please order adapter plates separately), wear plate at the bottom, 800 mm long forged tines, thick-walled side plates, hydraulic cylinders, hydraulic hoses with quick connector BG3.

Art.-No.	width (B) in mm	volume in ltr.	number of tines	weight approx. in kg
125.120.009	900	260	5	140
125.120.010	1.000	305	5	160
125.120.012	1.200*	350	6	180

anthracite-grey RAL 7016 – red RAL 3002

*From a width of 1,200 mm, the devices can be equipped with a Euro-bracket (LP bracket).

Multipurpose Buckets, mini



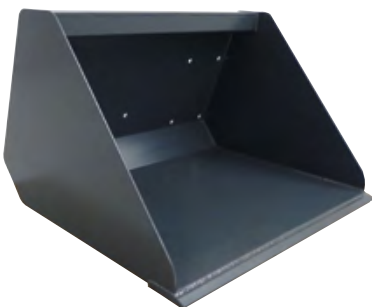
With **LP-bracket for compact loaders** (please order adapter plates separately), bucket metal 6 mm thick, incl. side plates, hydraulic cylinders, -hoses, quick connector BG3, cutting edge (500 HB), protective runners at the bucket base.

Art.-No.	width (B) in mm	volume in ltr.	number of tines	weight approx. in kg
125.122.009	900	260	5	160
125.122.010	1.000	305	6	175
125.122.012	1.200*	350	7	190

*anthracite-grey RAL 7016 – side panels red RAL 3002**

*From a width of 1,200 mm, the devices can be equipped with a Euro-bracket (LP bracket).

Loader Buckets, mini



With **LP-bracket for compact loaders** (please order adapter plates separately), wear plate under the shovel bottom, incl. side plates, quick connector BG3, hardened 500 HB cutting edge.

Art.-No.	width (B) in mm	volume in ltr.	bucket depth in mm	weight approx. in kg
125.123.009	900	230	770	95
125.123.010	1.000	270	770	105
125.123.012	1.200*	310	770	115

anthracite-grey RAL 7016

*From a width of 1,200 mm, the devices can be equipped with a Euro-bracket (LP bracket).

Sieve buckets, mini



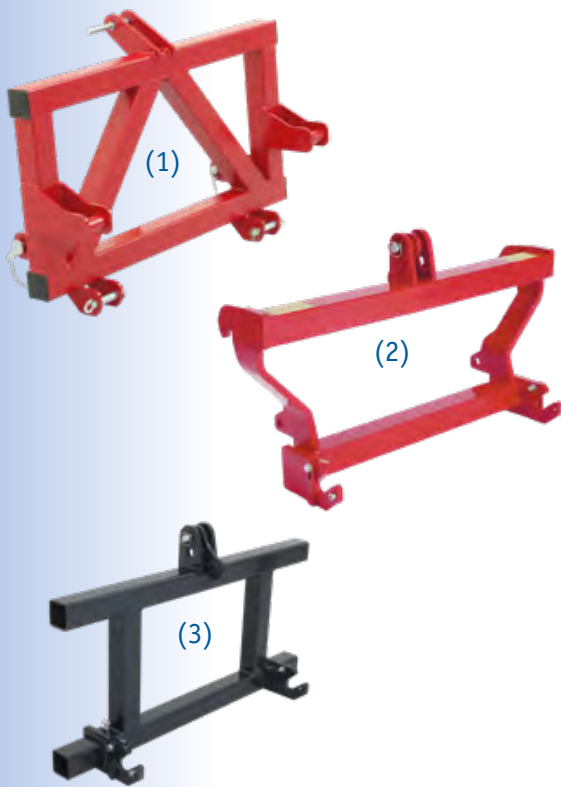
With **LP-bracket for compact loaders** (please order adapter plates separately), hardened steel cutting edge 500 HB, additional protective runners at the bucket base. 20 mm round rods with a distance of 40 mm, thick-walled support tube and stable side plates.

Art.-No.	width (B) in mm	bucket depth in mm	weight approx. in kg
125.141.012	1.240	655	170

anthracite-grey RAL 7016

Adapter frames

Three point- & euro-frames



Three point adapter frame for using devices with **Euro-bracket**. Euro adapter for using devices with three-point linkage on the front end loader.

Art.-No.	description	position of bracket**	max. width ext. in mm	load capacity in kg	weight approx. in kg
125.017.320	three-point adapter frame cat. II with all bolts (1)	110	1.130	1.000	70
125.017.350	three-point adapter frame cat. II for small tractors, with all bolts	210	1.130	1.000	70
25.031.000	euro adapter for cat. II three point attachment device (EN 23205) (2)		1.100	1.000	50
125.031.300	euro adapter basis* for cat. II three point attachment device (3)		1.200	1.000	50

red RAL 3002 – anthracite-grey RAL 7016

** without Euro bracket, prepared for welding on wheel loader consoles*

*** distance of the euro bracket from the lower link bolt*



Tractor and Implement Triangles



For easy connecting and disconnecting of front and rear units, according to ISO 11001-2, Tractor triangle Cat. I and Cat. II with double guide roller.

Art.-No.	description	total load approx. kg*	weight approx. in kg
125.018.100	tractor linkage triangle cat. IIS	1.200	40
125.018.501	tractor linkage triangle cat. III	1.500	55
125.020.000	tractor linkage triangle cat. I	1.000	33
125.020.500	tractor linkage triangle cat. „communal“	300	7
125.019.000	implement triangle cat. I - II		12
125.019.510	implement triangle cat. „communal“		4

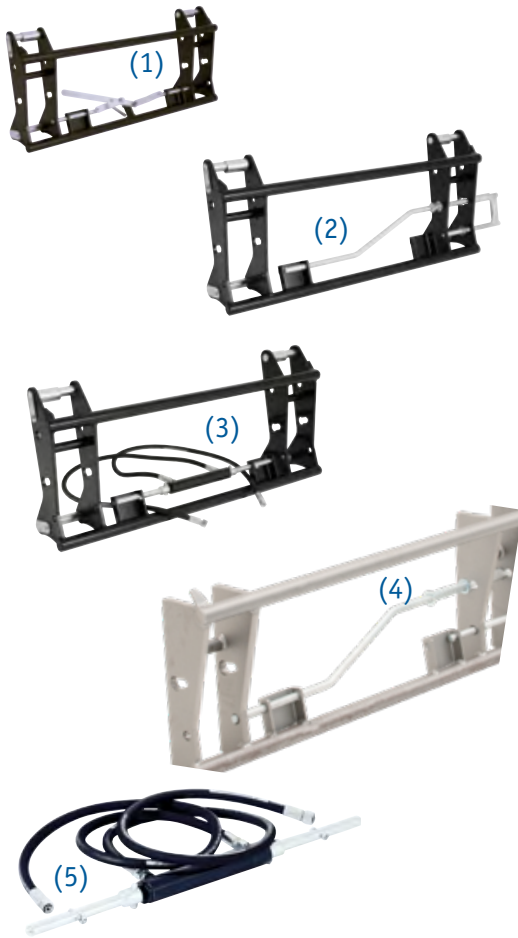
tractor triangle red RAL 3002 – implement triangle: primed version

** for mowers with total load of 800 kg*



Adapter frames

Quick Hitch Backplate



Our quick hitch backplate for devices with Euro-bracket according to ISO 23206 fits **front loaders cat. 2 with 85 cm and cat. 3 with 102 cm**. With a load centre of 800 mm, the load capacity is approx. 2,000 kg.

Art.-No.	description	max. width ext. in mm	load capacity in kg	weight approx. in kg
125.017.000	with lever in the centre (1)	1.140	2.000	60
125.017.800	actuation from side (2)	1.140	2.000	60
125.017.900	hydraulic stage (3)	1.140	2.000	60
125.017.750*	kit quick hitch backplate, actuation from side (4)	1.230	2.000	55
125.017.930	hydraulic supplies quick hitch backplate (5)			2

black RAL 9005

** for welding on wheel loader brackets, unpainted version (sand blasted)*



Full Hydraulic Retrofit Kit



Fully hydraulic retrofit kits for front loader, tilt angle up to 180° / 850 mm stroke, tensile force per cylinder 3,450 daN at 180 bar, compression force per cylinder 2,300 daN at 180 bar, including hydraulic hoses.

Art.-No.	description	tilt angle	weight approx. in kg
125.021.000	single cylinder	180°	40
125.021.200	double cylinder	180°	79
125.017.130	retrofit supplies for Quick Hitch Backplate single cylinder, 4 plates for welding on		15

black RAL 9005

Quality made by Schneider

For three decades, Schneider has been supplying innovative components for vehicle construction and agricultural engineering. Our production is consistent according to ISO 9001: certified in 2008. Well-known agricultural engineering companies appreciate the reliable product quality as well as the delivery just in time from the central warehouse in Bielefeld.

Our engineers develop practice-oriented, robust quality solutions for your success. In addition to springs, axle units,

supports and support wheels, we offer this product overview with attachments for front loaders and the front or rear hydraulics of tractors as well as for compact loaders and telescopic handlers.

In addition to the standardized components that can be supplied at short notice to trading companies, our creative and committed development department supports the product development of trade and industry with the parts that meet your requirements.



*Customer satisfaction is at the heart of our quality policy in accordance with international quality standard **EN ISO 9001:2008** of the Schneider-AluTeam group of companies.*



Issue 08/2023; subject to modifications and amendments.



Schneider Fahrzeug- und Containertechnik GmbH
Brockhagener Straße 92, D - 33649 Bielefeld

Tel. + 49 (0)521 - 41 73 12 - 0, Fax + 49 (0)521 - 41 73 12 - 90
E-Mail: info@schneider-fc.de, www.schneider-fc.com